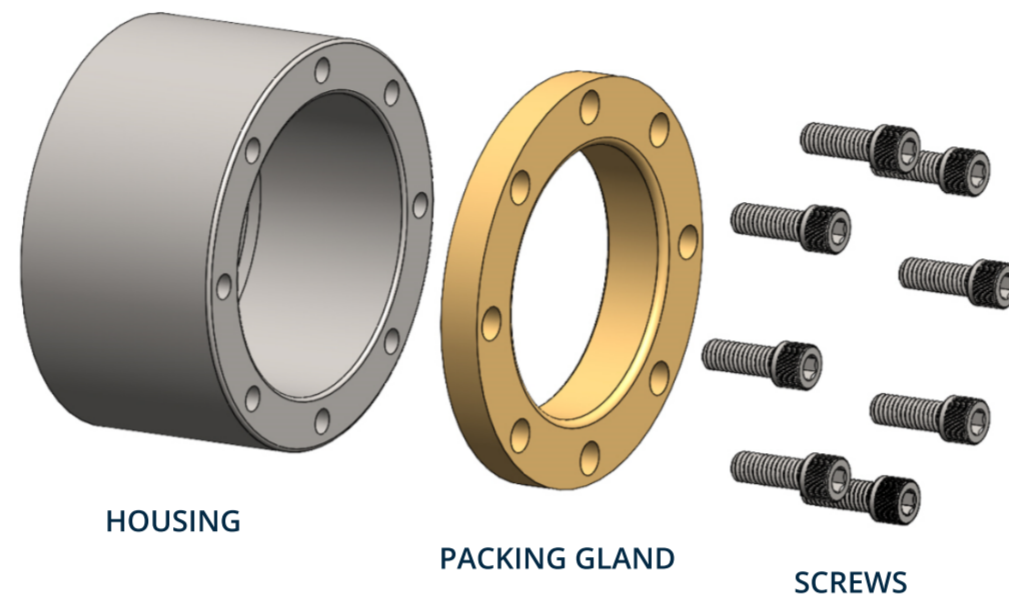


# MIL-S-24235/3

## BALLAST TANK STUFFING TUBES 187095 BALLAST TANK STUFFING TUBE

HOUSINGS AND PACKING GLANDS AVAILABLE IN ALTERNATE MATERIALS  
SEE M24235/4 FOR APPLICABLE PACKING



### ASSEMBLIES

SYMBOL #	M24235 ASSEMBLY #	PACKING BORE DIAMETER	HOUSING O.D.	SCREW SIZE	SCREW QUANTITY	PENN EL PART #
2430	M24235/3-001	3.000	4-1/2	3/8-16	6	AB3-SS-011
2428	M24235/3-002	3.970	5-3/4	1/2-13	8	AB3-SS-012
2429	M24235/3-003	4.970	6-3/4	1/2-13	8	AB3-SS-013
N/A	187095 ITEMS 1 & 2	7.500	9-1/2	1/2-13	10	AB3-187095-0095

### INDIVIDUAL PARTS

PART	PART #	MATERIAL	PENN EL PART #
HOUSING	M24235/3-011	STAINLESS STEEL	B3-SS-011
HOUSING	M24235/3-012	STAINLESS STEEL	B3-SS-012
HOUSING	M24235/3-013	STAINLESS STEEL	B3-SS-013
HOUSING	187095 ITEM 1	STAINLESS STEEL	B3-SS-187095-0001
PACKING GLAND	M24235/3-021	ALUMINUM BRONZE	B3-BR-021
PACKING GLAND	M24235/3-022	ALUMINUM BRONZE	B3-BR-022
PACKING GLAND	M24235/3-023	ALUMINUM BRONZE	B3-BR-023
PACKING GLAND	187095 ITEM 2	ALUMINUM BRONZE	B3-BR-187095-0002
3/8-16 CAP SCREW	N/A	STAINLESS STEEL	B3-SS-3/8-16
1/2-13 CAP SCREW	N/A	STAINLESS STEEL	B3-SS-1/2-13

## PENN EL SERVICE COMPANY

801 STONY BATTERY ROAD  
LANDISVILLE, PA 17538  
717-898-2202  
pennel@bearonmfg.com  
pennel.com

