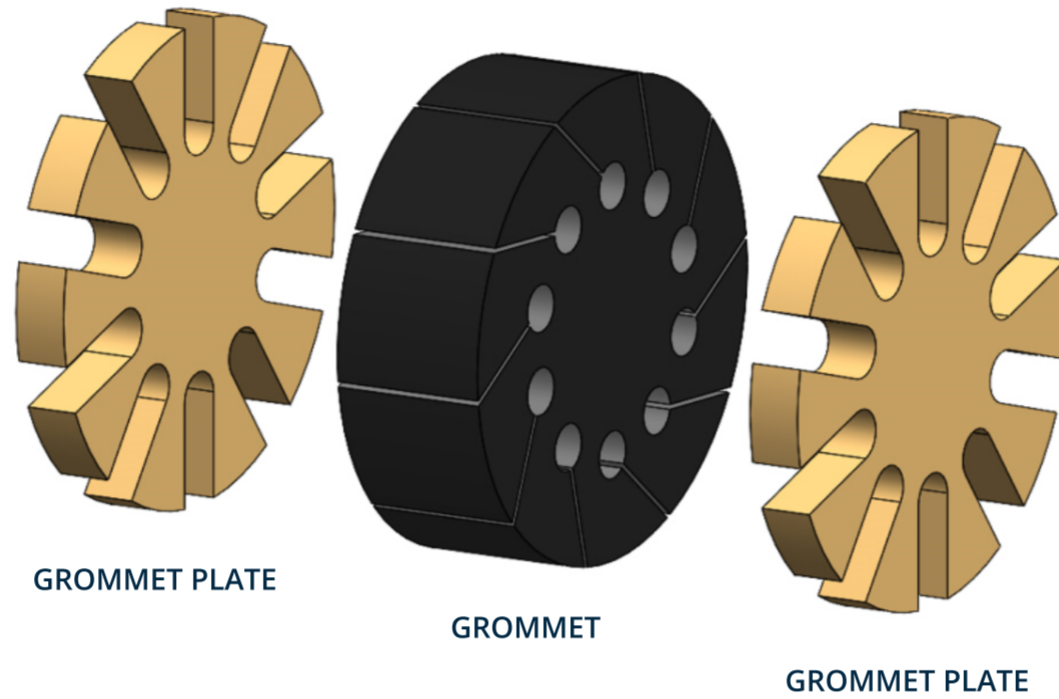


# MIL-S-24235/4

## BALLAST TANK PACKING 187095 BALLAST TANK PACKING

GROMMET - NEOPRENE  
GROMMET PLATE - ALUMINUM BRONZE



ASSEMBLY PART #	GROMMET HOLE DIAMETER	PLATE SLOT	GROMMET O.D.	# OF HOLES	PENN EL PART #
M24235/4-001	.485	17/32	2.950	5	AB4-BR-001
M24235/4-001 MOD SOLID	SOLID	SOLID	2.950	0	AB4-BR-011B-MOD
M24235/4-002	.615	21/32	2.950	2	AB4-BR-002
M24235/4-003	.485	17/32	3.950	10	AB4-BR-003
M24235/4-003 MOD SOLID	SOLID	SOLID	3.950	0	AB4-BR-013A-MOD
M24235/4-004	.615	21/32	3.950	10	AB4-BR-004
M24235/4-005	.485	17/32	4.925	16	AB4-BR-005
M24235/4-005 MOD SOLID	SOLID	SOLID	4.925	0	AB4-BR-013A-MOD
M24235/4-006	.615	21/32	4.925	12	AB4-BR-006
187095 ITEMS 4 & 9	1.490	1-17/32	7.470	6	AB4-BR-187095-4-9
187095 ITEMS 5 & 10	1.355	1-15/32	7.470	6	AB4-BR-187095-5-10
187095 ITEMS 6 & 11	1.355	1-13/32	7.470	6	AB4-BR-187095-6-11
	0.945	13/32		1	
187095 ITEMS 7 & 12	1.500	1-17/32	7.470	4	AB4-BR-187095-7-12
	1.365	1-13/32		2	
187095 ITEMS 8 & 13	1.355	1-13/32	7.470	3	AB4-BR-187095-8-13
	0.935	1-31/32		3	
187095 MOD - SOLID	SOLID	SOLID	7.470	0	AB4-BR-187095-SOLID

### PENN EL SERVICE COMPANY

801 STONY BATTERY ROAD  
LANDISVILLE, PA 17538  
717-898-2202  
pennel@bearonmfg.com  
pennel.com

