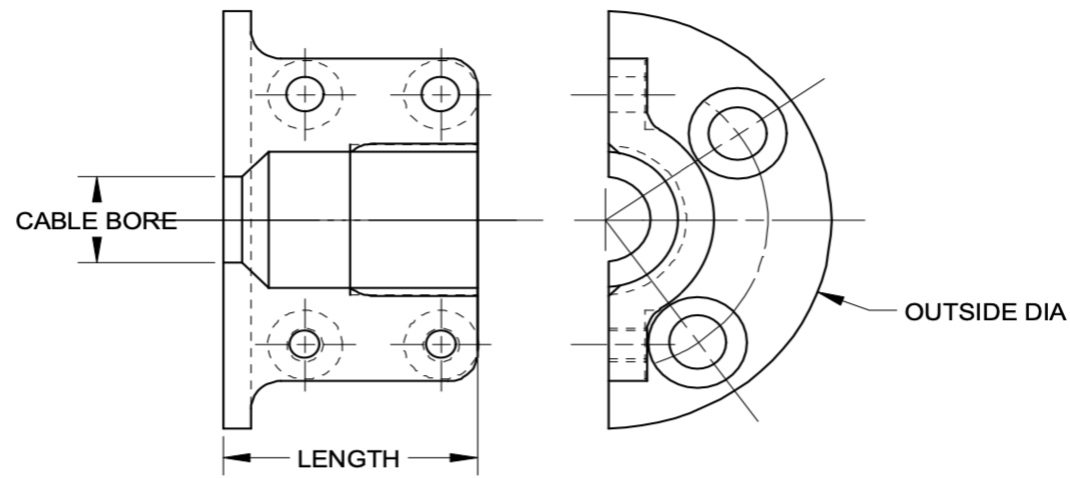
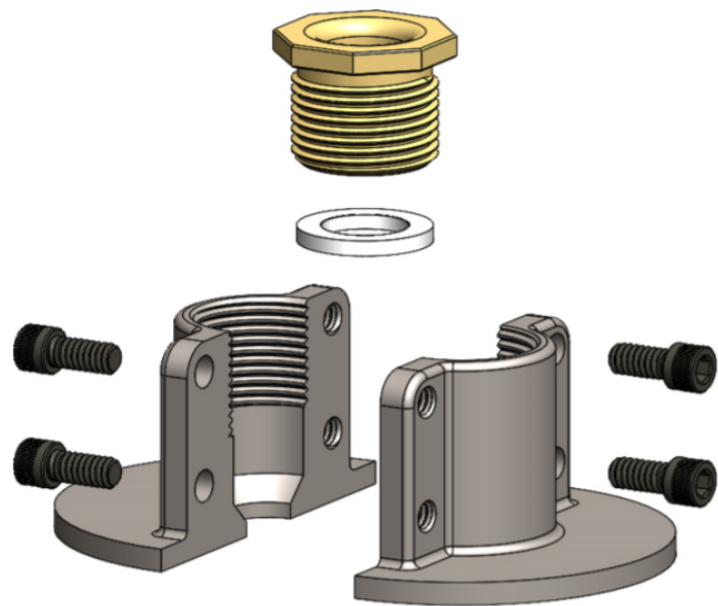


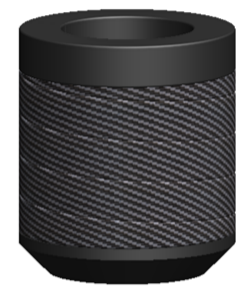
# M24235/12

## SPLIT STUFFING TUBE

TUBE - STEEL | GLAND NUT - BRASS | GLAND RING - ZINC PLATED STEEL | SCREWS - STAINLESS STEEL  
TUBE, GLAND NUT AND GLAND WASHER AVAILABLE IN ALUMINUM



PREFORMED PACKING  
MIL-P-16685  
(SOLD SEPARATELY)



SIZE	ASSEMBLY PART #	SYMBOL #	CABLE BORE	LENGTH	OUTSIDE DIAMETER	PENN EL PART #	PREFORMED PACKING #
A	M24235/12-01	1660	0.406	1-3/4	3/8-18	AMI-ST-A-1660	MP-BA-A1
B	M24235/12-02	1661	0.515	1-3/4	1/2-14	AMI-ST-B-1661	MP-BA-B1
C	M24235/12-03	1662	0.640	1-3/4	3/4-14	AMI-ST-C-1662	MP-BA-C1
D	M24235/12-04	1663	0.750	1-3/4	3/4-14	AMI-ST-D-1663	MP-BA-D1
E	M24235/12-05	1664	0.812	1-3/4	1-11 1/2	AMI-ST-E-1664	MP-BA-E1
F	M24235/12-06	1665	0.843	1-3/4	1-11 1/2	AMI-ST-F-1665	MP-BA-F1
G	M24235/12-07	1666	0.953	1-13/16	1-11 1/2	AMI-ST-G-1666	MP-BA-G1
J	M24235/12-08	1667	1.062	1-13/16	1-1/4-11 1/2	AMI-ST-J-1667	MP-BA-J1
K	M24235/12-09	1668	1.171	3-1/8	1-1/4-11 1/2	AMI-ST-K-1668	MP-BA-K1
L	M24235/12-10	1669	1.265	3-1/8	1-1/4-11 1/2	AMI-ST-L-1669	MP-BA-L1
M	M24235/12-11	1670	1.406	3-1/8	1-1/2-11 1/2	AMI-ST-M-1670	MP-BA-M1
N	M24235/12-12	1671	1.515	3-1/8	1-1/2-11 1/2	AMI-ST-N-1671	MP-BA-N1
P	M24235/12-13	1672	1.625	3-1/8	2-11 1/2	AMI-ST-P-1672	MP-BA-P1
R	M24235/12-14	1673	1.750	3-1/8	2-11 1/2	AMI-ST-R-1673	MP-BA-R1
S	M24235/12-15	1674	1.875	5-1/8	2-11 1/2	AMI-ST-S-1674	MP-BA-S1
T	M24235/12-16	1675	2.062	5-1/8	2-11 1/2	AMI-ST-T-1675	MP-BA-T1
V	M24235/12-17	1676	2.187	5-1/8	2-11 1/2	AMI-ST-V-1676	MP-BA-V1
W	M24235/12-18	1677	2.312	5-1/8	2-11 1/2	AMI-ST-W-1677	MP-BA-W1
X	M24235/12-19	1678	2.500	5-1/8	2-11 1/2	AMI-ST-X-1678	MP-BA-X1
Y	M24235/12-20	1679	2.609	5-1/8	2-11 1/2	AMI-ST-Y-1679	MP-BA-Y1
Z	M24235/12-21	1658	2.781	5-1/8	2-11 1/2	AMI-ST-Z-1680	MP-BA-Z1
AA	M24235/12-22	1659	2.875	6-7/8	2-11 1/2	AMI-ST-AA-1681	MP-BA-AA1

## PENN EL SERVICE COMPANY

801 STONY BATTERY ROAD  
LANDISVILLE, PA 17538  
717-898-2202  
pennel@bearonmfg.com  
pennel.com

