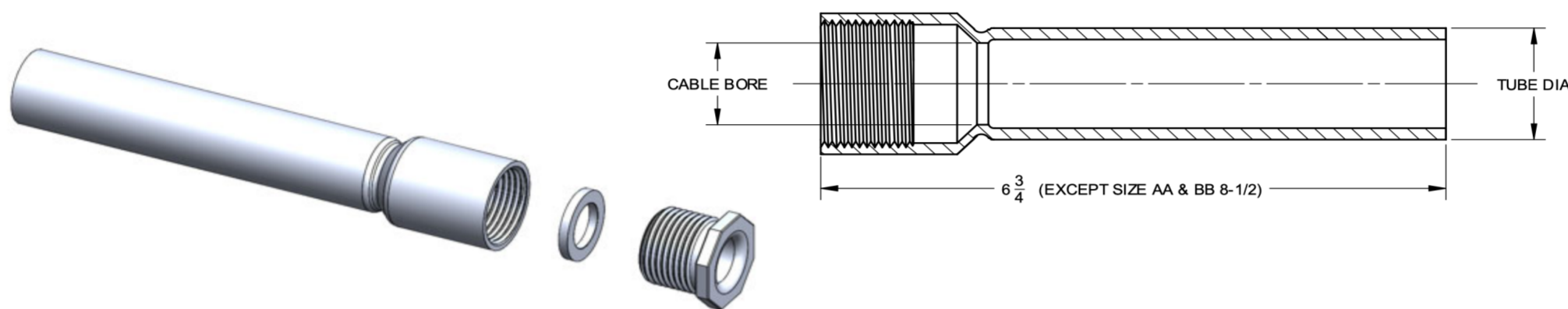


MIL-S-24235/17

ALUMINUM BULKHEAD SWAGED TUBES ALUMINUM TUBE, GLAND NUT AND GLAND RING

STUFFING TUBES, METAL, AND PACKING ASSEMBLIES FOR ELECTRIC CABLES, SWAGE
TYPE, STEEL AND ALUMINUM, FOR DECK AND BULKHEADS WITH PIPE PROTECTION



PREFORMED PACKING
MIL-P-16685
(SOLD SEPARATELY)



SIZE	CABLE BORE	TUBE DIAMETER	SYMBOL #	M24235 ASSEMBLY #	PENN EL PART #	PREFORMED PACKING #
A	.406	1-1/16	1731	M24235/17-031	A17-AL-A-0675	MP-BA-A1
B	.515	1-1/16	1732	M24235/17-032	A17-AL-B-0675	MP-BA-B1
C	.640	1-5/16	1733	M24235/17-033	A17-AL-C-0675	MP-BA-C1
D	.750	1-5/16	1734	M24235/17-034	A17-AL-D-0675	MP-BA-D1
E	.812	1-5/16	1735	M24235/17-035	A17-AL-E-0675	MP-BA-E1
F	.843	1-5/16	1736	M24235/17-036	A17-AL-F-0675	MP-BA-F1
G	.953	1-21/32	1737	M24235/17-037	A17-AL-G-0675	MP-BA-G1
J	1.062	1-29/32	1738	M24235/17-038	A17-AL-J-0675	MP-BA-J1
K	1.171	1-29/32	1739	M24235/17-039	A17-AL-K-0675	MP-BA-K1
L	1.265	1-29/32	1740	M24235/17-040	A17-AL-L-0675	MP-BA-L1
M	1.406	2-3/8	1741	M24235/17-041	A17-AL-M-0675	MP-BA-M1
N	1.515	2-3/8	1742	M24235/17-042	A17-AL-N-0675	MP-BA-N1
P	1.625	2-3/8	1743	M24235/17-043	A17-AL-P-0675	MP-BA-P1
R	1.750	2-3/8	1744	M24235/17-044	A17-AL-R-0675	MP-BA-R1
S	1.875	2-7/8	1745	M24235/17-045	A17-AL-S-0675	MP-BA-S1
T	2.062	3-1/2	1746	M24235/17-046	A17-AL-T-0675	MP-BA-T1
V	2.187	3-1/2	1747	M24235/17-047	A17-AL-V-0675	MP-BA-V1
W	2.312	3-1/2	1748	M24235/17-048	A17-AL-W-0675	MP-BA-W1
X	2.500	3-1/2	1749	M24235/17-049	A17-AL-X-0675	MP-BA-X1
Y	2.609	4	1750	M24235/17-050	A17-AL-Y-0675	MP-BA-Y1
Z	2.781	4	1751	M24235/17-051	A17-AL-Z-0675	MP-BA-Z1
AA	2.875	4	1752	M24235/17-052	A17-AL-AA-0850	MP-BA-AA1
BB	3.157	4-1/2	1753	M24235/17-053	A17-AL-BB-0850	MP-BA-BB1

PENN EL SERVICE COMPANY

801 STONY BATTERY ROAD
LANDISVILLE, PA 17538
717-898-2202
pennel@bearonmfg.com
pennel.com

