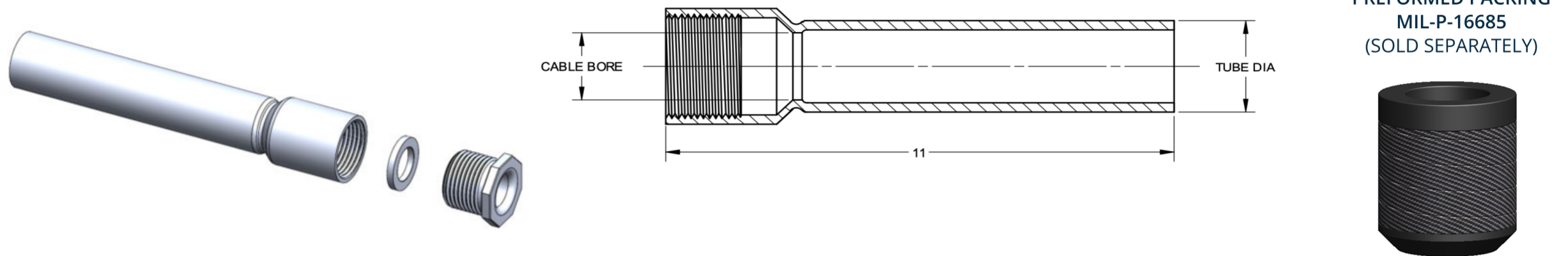


MIL-S-24235/17

ALUMINUM DECK SWAGED TUBES ALUMINUM TUBE, GLAND NUT AND GLAND RING

STUFFING TUBES, METAL, AND PACKING ASSEMBLIES FOR ELECTRIC CABLES, SWAGE
TYPE, STEEL AND ALUMINUM, FOR DECK AND BULKHEADS WITH PIPE PROTECTION



SIZE	CABLE BORE	TUBE DIAMETER	SYMBOL #	M24235 ASSEMBLY #	PENN EL PART #	PREFORMED PACKING #
A	.406	1-1/16	1791	M24235/17-091	A17-AL-A-1100	MP-BA-A1
B	.515	1-1/16	1792	M24235/17-092	A17-AL-B-1100	MP-BA-B1
C	.640	1-5/16	1793	M24235/17-093	A17-AL-C-1100	MP-BA-C1
D	.750	1-5/16	1794	M24235/17-094	A17-AL-D-1100	MP-BA-D1
E	.812	1-5/16	1795	M24235/17-095	A17-AL-E-1100	MP-BA-E1
F	.843	1-5/16	1796	M24235/17-096	A17-AL-F-1100	MP-BA-F1
G	.953	1-21/32	1797	M24235/17-097	A17-AL-G-1100	MP-BA-G1
J	1.062	1-29/32	1798	M24235/17-098	A17-AL-J-1100	MP-BA-J1
K	1.171	1-29/32	1799	M24235/17-099	A17-AL-K-1100	MP-BA-K1
L	1.265	1-29/32	1800	M24235/17-100	A17-AL-L-1100	MP-BA-L1
M	1.406	2-3/8	1801	M24235/17-101	A17-AL-M-1100	MP-BA-M1
N	1.515	2-3/8	1802	M24235/17-102	A17-AL-N-1100	MP-BA-N1
P	1.625	2-3/8	1803	M24235/17-103	A17-AL-P-1100	MP-BA-P1
R	1.750	2-3/8	1804	M24235/17-104	A17-AL-R-1100	MP-BA-R1
S	1.875	2-7/8	1805	M24235/17-105	A17-AL-S-1100	MP-BA-S1
T	2.062	3-1/2	1806	M24235/17-106	A17-AL-T-1100	MP-BA-T1
V	2.187	3-1/2	1807	M24235/17-107	A17-AL-V-1100	MP-BA-V1
W	2.312	3-1/2	1808	M24235/17-108	A17-AL-W-1100	MP-BA-W1
X	2.500	3-1/2	1809	M24235/17-109	A17-AL-X-1100	MP-BA-X1
Y	2.609	4	1810	M24235/17-110	A17-AL-Y-1100	MP-BA-Y1
Z	2.781	4	1811	M24235/17-111	A17-AL-Z-1100	MP-BA-Z1
AA	2.875	4	1812	M24235/17-112	A17-AL-AA-1100	MP-BA-AA1
BB	3.157	4-1/2	1813	M24235/17-113	A17-AL-BB-1100	MP-BA-BB1

MODS AVAILABLE: 12-1/2" LENGTH | BENT 90 DEGREES

PENN EL SERVICE COMPANY

801 STONY BATTERY ROAD
LANDISVILLE, PA 17538
717-898-2202
pennel@bearonmfg.com
pennel.com

