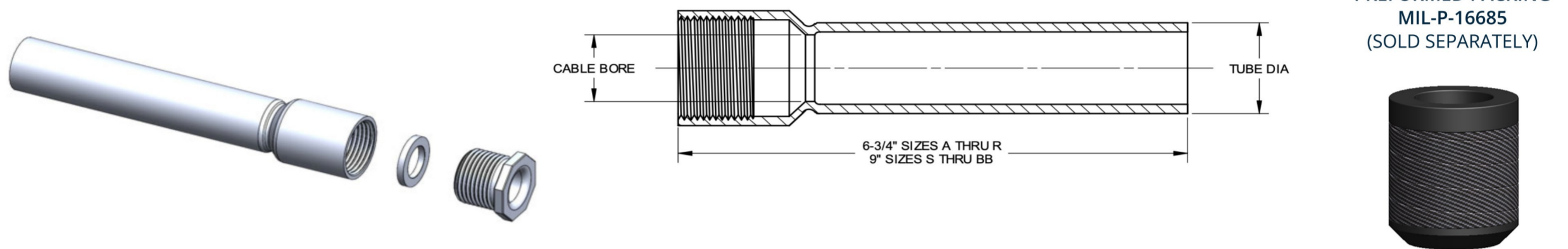


# MIL-S-24235/18

## ALUMINUM BULKHEAD SWAGED TUBES ALUMINUM TUBE, GLAND NUT AND GLAND RING

STUFFING TUBES, METAL, AND PACKING ASSEMBLIES FOR ELECTRIC CABLES, SWAGE  
TYPE, STEEL AND ALUMINUM, FOR DECK AND BULKHEADS WITH PIPE PROTECTION



PREFORMED PACKING  
MIL-P-16685  
(SOLD SEPARATELY)



SIZE	CABLE BORE	TUBE DIAMETER	SYMBOL #	M24235 ASSEMBLY #	PENN EL PART #	PREFORMED PACKING #
A	.406	1-1/16	1871	M24235/18-031	A18-AL-A-0675	MP-BA-A1
B	.515	1-1/16	1872	M24235/18-032	A18-AL-B-0675	MP-BA-B1
C	.640	1-5/16	1873	M24235/18-033	A18-AL-C-0675	MP-BA-C1
D	.750	1-5/16	1874	M24235/18-034	A18-AL-D-0675	MP-BA-D1
E	.812	1-5/16	1875	M24235/18-035	A18-AL-E-0675	MP-BA-E1
F	.843	1-5/16	1876	M24235/18-036	A18-AL-F-0675	MP-BA-F1
G	.953	1-21/32	1877	M24235/18-037	A18-AL-G-0675	MP-BA-G1
J	1.062	1-29/32	1878	M24235/18-038	A18-AL-J-0675	MP-BA-J1
K	1.171	1-29/32	1879	M24235/18-039	A18-AL-K-0675	MP-BA-K1
L	1.265	1-29/32	1880	M24235/18-040	A18-AL-L-0675	MP-BA-L1
M	1.406	2-3/8	1881	M24235/18-041	A18-AL-M-0675	MP-BA-M1
N	1.515	2-3/8	1882	M24235/18-042	A18-AL-N-0675	MP-BA-N1
P	1.625	2-3/8	1883	M24235/18-043	A18-AL-P-0675	MP-BA-P1
R	1.750	2-3/8	1884	M24235/18-044	A18-AL-R-0675	MP-BA-R1
S	1.875	2-7/8	1885	M24235/18-045	A18-AL-S-0675	MP-BA-S1
T	2.062	3-1/2	1886	M24235/18-046	A18-AL-T-0675	MP-BA-T1
V	2.187	3-1/2	1887	M24235/18-047	A18-AL-V-0675	MP-BA-V1
W	2.312	3-1/2	1888	M24235/18-048	A18-AL-W-0675	MP-BA-W1
X	2.500	3-1/2	1889	M24235/18-049	A18-AL-X-0675	MP-BA-X1
Y	2.609	4	1890	M24235/18-050	A18-AL-Y-0675	MP-BA-Y1
Z	2.781	4	1891	M24235/18-051	A18-AL-Z-0675	MP-BA-Z1
AA	2.875	4	1892	M24235/18-052	A18-AL-AA-0850	MP-BA-AA1
BB	3.157	4-1/2	1893	M24235/18-053	A18-AL-BB-0850	MP-BA-BB1

## PENN EL SERVICE COMPANY

801 STONY BATTERY ROAD  
LANDISVILLE, PA 17538  
717-898-2202  
pennel@bearonmfg.com  
pennel.com

