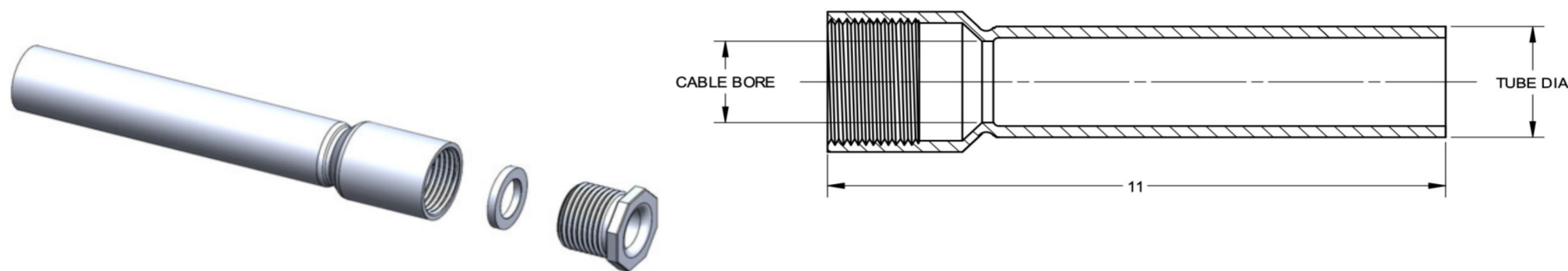


MIL-S-24235/18

ALUMINUM DECK SWAGED TUBES ALUMINUM TUBE, GLAND NUT AND GLAND RING

STUFFING TUBES, METAL, AND PACKING ASSEMBLIES FOR ELECTRIC CABLES, SWAGE TYPE, STEEL AND ALUMINUM, FOR DECK AND BULKHEADS WITH PIPE PROTECTION



PREFORMED PACKING
MIL-P-16685
(SOLD SEPARATELY)



SIZE	CABLE BORE	TUBE DIAMETER	SYMBOL #	M24235 ASSEMBLY #	PENN EL PART #	PREFORMED PACKING #
A	.406	1-1/16	1941	M24235/18-091	A18-AL-A-1100	MP-BA-A1
B	.515	1-1/16	1942	M24235/18-092	A18-AL-B-1100	MP-BA-B1
C	.640	1-5/16	1943	M24235/18-093	A18-AL-C-1100	MP-BA-C1
D	.750	1-5/16	1944	M24235/18-094	A18-AL-D-1100	MP-BA-D1
E	.812	1-5/16	1945	M24235/18-095	A18-AL-E-1100	MP-BA-E1
F	.843	1-5/16	1946	M24235/18-096	A18-AL-F-1100	MP-BA-F1
G	.953	1-21/32	1947	M24235/18-097	A18-AL-G-1100	MP-BA-G1
J	1.062	1-29/32	1948	M24235/18-098	A18-AL-J-1100	MP-BA-J1
K	1.171	1-29/32	1949	M24235/18-099	A18-AL-K-1100	MP-BA-K1
L	1.265	1-29/32	1950	M24235/18-100	A18-AL-L-1100	MP-BA-L1
M	1.406	2-3/8	1951	M24235/18-101	A18-AL-M-1100	MP-BA-M1
N	1.515	2-3/8	1952	M24235/18-102	A18-AL-N-1100	MP-BA-N1
P	1.625	2-3/8	1953	M24235/18-103	A18-AL-P-1100	MP-BA-P1
R	1.750	2-3/8	1954	M24235/18-104	A18-AL-R-1100	MP-BA-R1
S	1.875	2-7/8	1955	M24235/18-105	A18-AL-S-1100	MP-BA-S1
T	2.062	3-1/2	1956	M24235/18-106	A18-AL-T-1100	MP-BA-T1
V	2.187	3-1/2	1957	M24235/18-107	A18-AL-V-1100	MP-BA-V1
W	2.312	3-1/2	1958	M24235/18-108	A18-AL-W-1100	MP-BA-W1
X	2.500	3-1/2	1959	M24235/18-109	A18-AL-X-1100	MP-BA-X1
Y	2.609	4	1960	M24235/18-110	A18-AL-Y-1100	MP-BA-Y1
Z	2.781	4	1961	M24235/18-111	A18-AL-Z-1100	MP-BA-Z1
AA	2.875	4	1962	M24235/18-112	A18-AL-AA-1100	MP-BA-AA1
BB	3.157	4-1/2	1963	M24235/18-113	A18-AL-BB-1100	MP-BA-BB1

MODS AVAILABLE: 12-1/2" LENGTH | BENT 90 DEGREES

PENN EL SERVICE COMPANY

801 STONY BATTERY ROAD
LANDISVILLE, PA 17538
717-898-2202
pennel@bearonmfg.com
pennel.com

