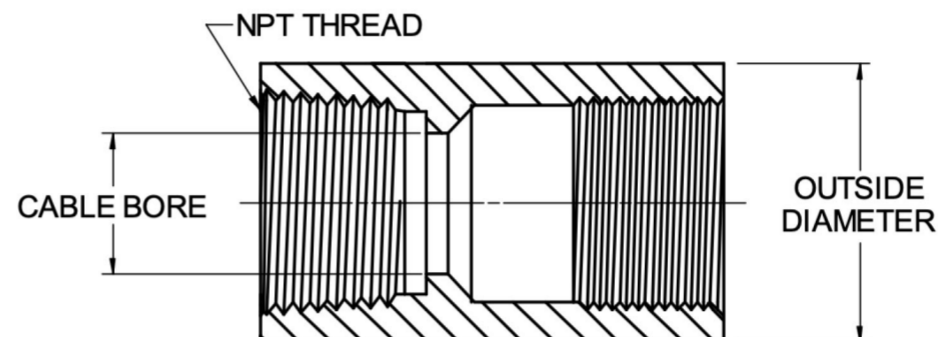
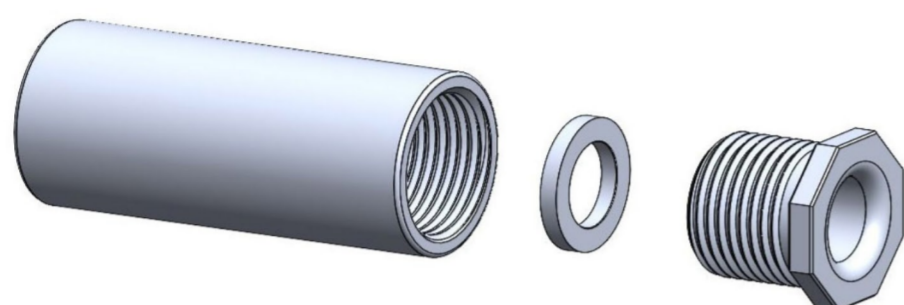


MIL-S-24235/9

STUFFING TUBES, METAL, AND PACKING ASSEMBLIES FOR ELECTRIC CABLES,
BRASS AND STEEL, FOR DECKS AND BULKHEADS WITH PIPE PROTECTION

ALUMINUM FORMERLY 48-6
ALUM ALUMINUM TUBE, GLAND NUT AND GLAND RING



PREFORMED PACKING
MIL-P-16685
(SOLD SEPARATELY)



SIZE	CABLE BORE	OUTSIDE DIAMETER	NPT THREAD	M24235 ASSEMBLY #	PENN EL PART #	PREFORMED PACKING #
A	0.406	1-1/8	3/8	M24235/9-121 MOD	A48-AL-A	MP-BA-A1
B	0.515	1-1/14	1/2	M24235/9-122 MOD	A48-AL-B	MP-BA-B1
C	0.640	1-3/8	3/4	M24235/9-123 MOD	A48-AL-C	MP-BA-C1
D	0.750	1-1/2	3/4	M24235/9-124 MOD	A48-AL-D	MP-BA-D1
E	0.812	1-5/8	1	M24235/9-125 MOD	A48-AL-E	MP-BA-E1
F	0.843	1-5/8	1	M24235/9-126 MOD	A48-AL-F	MP-BA-E1
G	0.953	1-13/16	1	M24235/9-127 MOD	A48-AL-G	MP-BA-F1
J	1.062	2	1-1/4	M24235/9-128 MOD	A48-AL-J	MP-BA-G1
K	1.171	2-1/16	1-1/4	M24235/9-129 MOD	A48-AL-K	MP-BA-J1
L	1.265	2-1/8	1-1/4	M24235/9-130 MOD	A48-AL-L	MP-BA-K1
M	1.406	2-5/16	1-1/2	M24235/9-131 MOD	A48-AL-M	MP-BA-L1
N	1.515	2-7/16	1-1/2	M24235/9-132 MOD	A48-AL-N	MP-BA-M1
P	1.625	2-3/4	2	M24235/9-133 MOD	A48-AL-P	MP-BA-N1
R	1.750	2-3/4	2	M24235/9-134 MOD	A48-AL-R	MP-BA-P1
S	1.875	3-1/16	2	M24235/9-135 MOD	A48-AL-S	MP-BA-R1
T	2.062	3-1/4	2-1/2	M24235/9-136 MOD	A48-AL-T	MP-BA-S1
V	2.187	3-3/8	2-1/2	M24235/9-137 MOD	A48-AL-V	MP-BA-T1
W	2.312	3-1/2	2-1/2	M24235/9-138 MOD	A48-AL-W	MP-BA-V1
X	2.500	3-7/8	3	M24235/9-139 MOD	A48-AL-X	MP-BA-W1
Y	2.609	3-7/8	3	M24235/9-140 MOD	A48-AL-Y	MP-BA-X1
Z	2.781	3-15/16	3	M24235/9-141 MOD	A48-AL-Z	MP-BA-Y1
AA	2.875	4-1/8	3	M24235/9-142 MOD	A48-AL-AA	MP-BA-Z1
BB	3.157	4-1/2	3-1/2	M24235/9-143 MOD	A48-AL-BB	MP-BA-Z1

PENN EL SERVICE COMPANY

801 STONY BATTERY ROAD
LANDISVILLE, PA 17538
717-898-2202
pennel@bearonmfg.com
pennel.com

