

Products

Nylon Stuffing Tubes

Straight

45°

90°

N.P.T

"Y"

Packing Assemblies

Neoprene Plugs

Insulator Discs

Rubber Seals

Submarine Packing Assemblies

Navy Connectors

Electrical Plugs,
Receptacles & Covers

Lenses, Globes &
Tompons

Casualty Power Supply
Terminals

Military Specifications

Corporate Information

Background

Contact

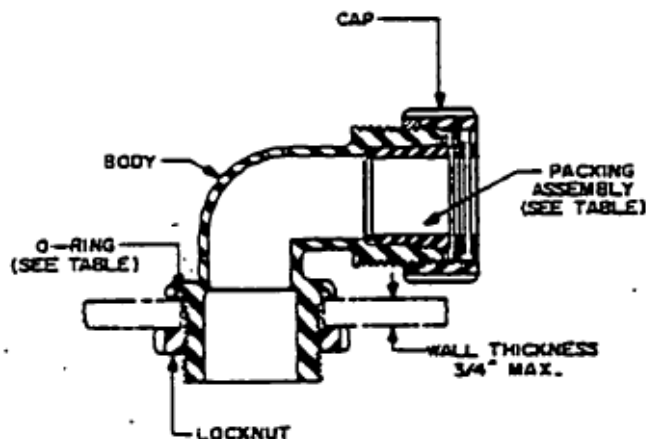
ISO 9001:2015
Certificate

TOP

ASTM Designation F1836M

To obtain a copy of this standard click on the ASTM logo above.
Then enter F1836M in the site search box.

90° (NYST-2)



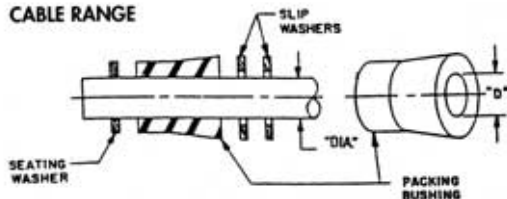
*Each unit consists of body, caps, locknut and O-ring.
Packing assemblies & neoprene plugs are available for all sizes.*

MILITARY SPECIFICATION MIL-S-19622/2C (SH)

BODY M19622/6A(SH), CAP M19622/10B(SH), LOCKNUT M19622/15A(SH), O-RING MS28775

Size	Part # NYST-2	Packing Assembly	Cable Range				Clearance Hole Dia. for Tube Install		Military Part # M19622/2	NSN 5975-00	Supersedes Part #
			Min.	Max.	Min.	Max.	Inch	MM			
1	-001	NYST-16	.077	.296	1.96	7.52	.885	22.48	-001	503-4694	MS 16163-1
2	-002	NYST-17	.275	.472	6.99	11.99	.885	22.48	-002	503-4693	MS 16164-2
3	-003	NYST-18	.410	.472	10.41	11.99	1.135	28.83	-003	877-6956	MS 17271-3
4T	-005	NYST-19	.450	.777	11.43	19.74	1.260	32.00	-005	989-5045	MS 16165-4T
5	-006	NYST-20	.752	1.113	19.10	28.27	2.010	51.05	-006	503-4695	MS 16166-5
6	-007	NYST-21	.806	1.390	20.47	35.31	2.510	63.75	-007	503-4697	MS 16167-6

CABLE RANGE



Please select maximum inner diameter "D" of packing bushing that is nearest to the maximum outer diameter "DIA." of the cable or cord being used. *Packing bushing I.D. must be equal to or slightly larger than cable maximum O.D.*

For use with (but not limited to) cables and cords that meet IEEE-45, IEC 92-3 and US Navy Standards.

Cable & Cord Types

- POWER AND LIGHT
- COMMUNICATION
- ELECTRONIC
- SPECIAL PURPOSE
- CONTROL
- INSTRUMENTATION
- TELEPHONE
- PORTABLE CORDS

Watertight, Non-watertight, Flexing, Non-flexing service.