

## Products

### Nylon Stuffing Tubes

Straight  
45°  
90°  
N.P.T  
"Y"

Packing Assemblies  
Neoprene Plugs  
Insulator Discs  
Rubber Seals

### Submarine Packing Assemblies

### Navy Connectors

Electrical Plugs,  
Receptacles & Covers

Lenses, Globes &  
Tomplions

Casualty Power Supply  
Terminals

### Military Specifications

## Corporate Information

### Background

### Contact

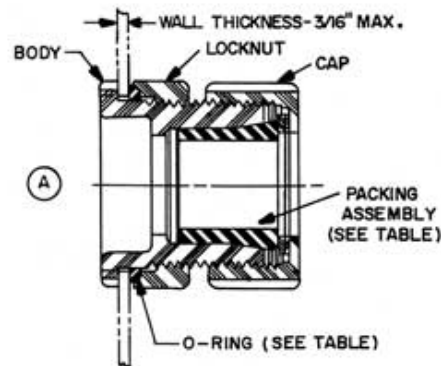
ISO 9001:2015  
Certificate

TOP

## ASTM Designation F1836M

To obtain a copy of this standard click on the ASTM logo above.  
Then enter F1836M in the site search box.

## Straight (NYST-1)



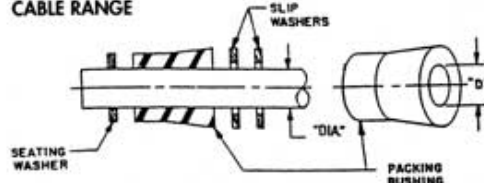
*Each unit consists of body, caps, locknut and O-ring.  
Packing assemblies & neoprene plugs are available for all sizes.*

### MILITARY SPECIFICATION MIL-S-19622/1B (SH)

BODY M19622/5B(SH), CAP M19622/10B(SH), LOCKNUT M19622/9A(SH), O-RING MS28775

Size	Part # NYST-1	Packing Assembly	Cable Range				Clearance Hole Dia. for Tube Install		Military Part # M19622/1	NSN 5975-00	Supersedes Part #
			Inch		MM (Metric)		Inch	MM			
			Min.	Max.	Min.	Max.					
1	-001	NYST-16	.077	.296	1.96	7.52	.885	22.48	-001	296-4092	MS 16455-1
2	-002	NYST-17	.275	.472	6.99	11.99	1.010	25.65	-002	296-4093	MS 16156-2
3	-003	NYST-18	.410	.472	10.41	11.99	1.135	28.83	-003	877-6957	MS 17270-3
4	-004	NYST-19	.450	.777	11.43	19.74	1.260	32.00	-004	296-4095	MS 16157-4
4T	-005	NYST-19	.450	.777	11.43	19.74	1.385	35.18	-005	989-5046	MS 16157-4T
5	-006	NYST-20	.737	1.113	19.10	28.27	2.010	51.05	-006	296-4096	MS 16158-5
6	-007	NYST-21	.776	1.390	20.47	35.31	2.510	63.75	-007	296-4097	MS 16159-6
7	-008	NYST-22	1.418	1.610	36.40	40.89	2.760	70.10	-008	296-4098	MS 16160-7
8	-009	NYST-23	1.610	2.000	41.28	50.80	3.260	82.80	-009	296-4099	MS 16161-8
9	-010	NYST-24	2.006	2.700	51.56	68.58	4.010	101.85	-010	296-4100	MS 16162-9

### CABLE RANGE



Please select maximum inner diameter "D" of packing bushing that is nearest to the maximum outer diameter "DIA." of the cable or cord being used. *Packing bushing I.D. must be equal to or slightly larger than cable maximum O.D.*

For use with (but not limited to) cables and cords that meet IEEE-45, IEC 92-3 and US Navy Standards.

## Cable & Cord Types

- POWER AND LIGHT
- COMMUNICATION
- ELECTRONIC
- SPECIAL PURPOSE
- CONTROL
- INSTRUMENTATION
- TELEPHONE
- PORTABLE CORDS

*Watertight, Non-watertight, Flexing, Non-flexing service.*