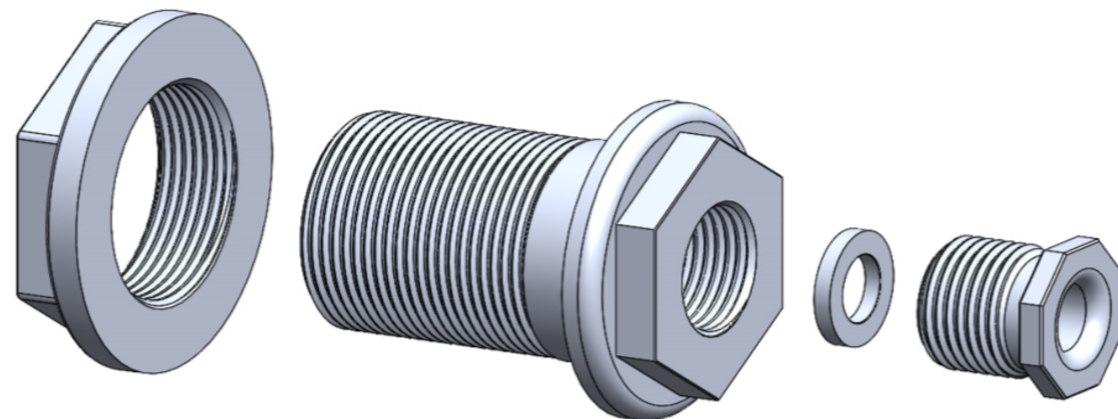


TYPE 64 STUFFING TUBE

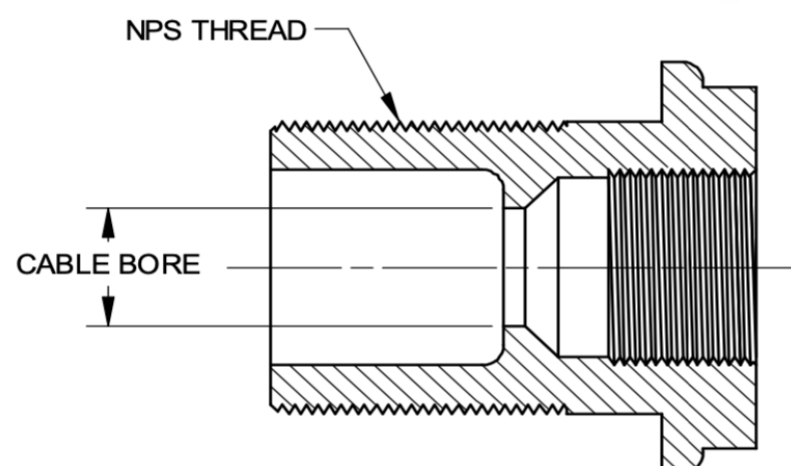
FOR PASSING ELECTRIC CABLES THROUGH WOOD DECKS AND BULKHEADS

9000-S6202-74121

ALUMINUM TUBE, GLAND NUT, LOCKNUT AND GLAND RING



PREFORMED PACKING
MIL-P-16685
(SOLD SEPARATELY)



SIZE	CABLE BORE	HEX	NPS THREAD	SYMBOL #	PENN EL PART #	PREFORMED PACKING #
A	0.406	2-3/16	3/8-18	1547.1	A64-AL-A	MP-BA-A2
B	0.515	2-3/16	1/2-14	1547.2	A64-AL-B	MP-BA-B2
C	0.640	2-1/2	3/4-14	1547.3	A64-AL-C	MP-BA-C2
D	0.750	2-1/2	3/4-14	1547.4	A64-AL-D	MP-BA-D2
E	0.812	2-1/2	1-11 1/2	1547.5	A64-AL-E	MP-BA-E2
F	0.843	3	1-11 1/2	1547.6	A64-AL-F	MP-BA-F2
G	0.953	3	1-11 1/2	1547.7	A64-AL-G	MP-BA-G2
J	1.062	3	1-1/4-11 1/2	1547.8	A64-AL-J	MP-BA-J2
K	1.171	3	1-1/4-11 1/2	1547.9	A64-AL-K	MP-BA-K2
L	1.265	3-1/4	1-1/4-11 1/2	1547.1	A64-AL-L	MP-BA-L2
M	1.406	3-5/8	1-1/2-11 1/2	1547.11	A64-AL-M	MP-BA-M2
N	1.515	3-5/8	1-1/2-11 1/2	1547.12	A64-AL-N	MP-BA-N2
P	1.625	3-5/8	2-11 1/2	1547.13	A64-AL-P	MP-BA-P2
R	1.750	3-3/4	2-11 1/2	1547.14	A64-AL-R	MP-BA-R2

PENN EL SERVICE COMPANY

801 STONY BATTERY ROAD
LANDISVILLE, PA 17538
717-898-2202
pennel@bearonmfg.com
pennel.com

