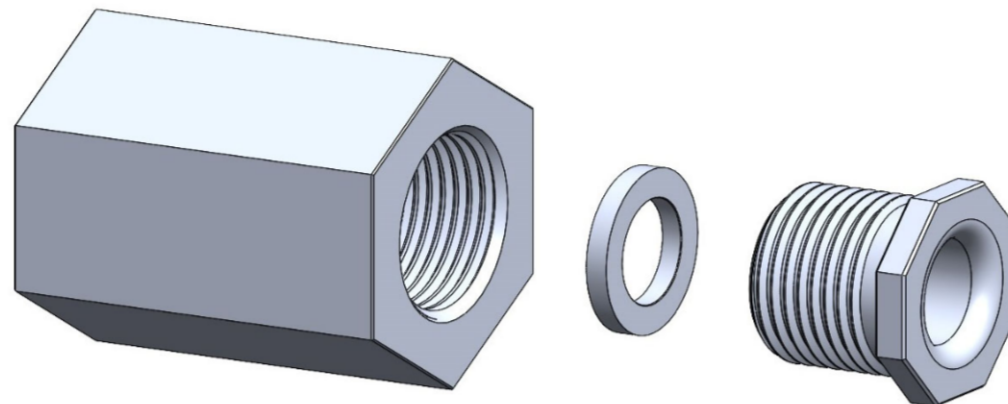


TYPE 65 STUFFING TUBE

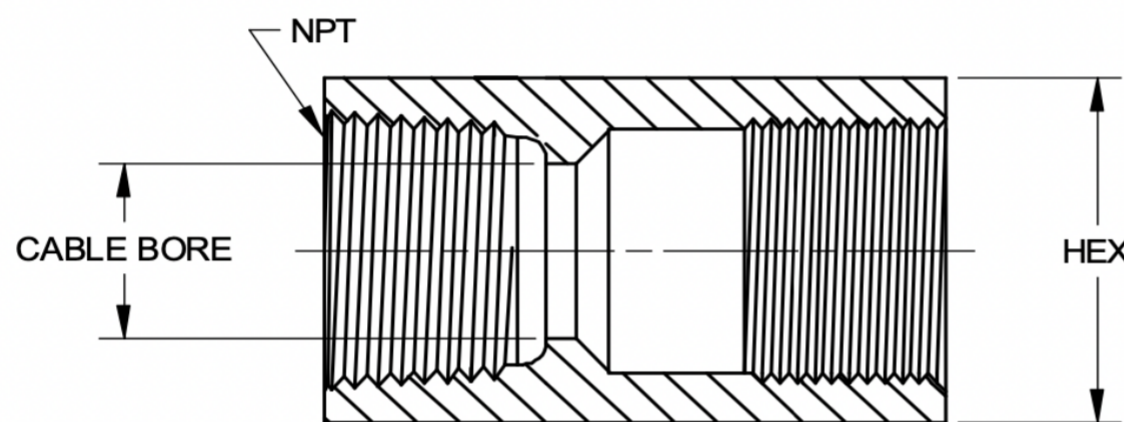
FOR PASSING ELECTRIC CABLES THROUGH WOOD DECKS AND BULKHEADS

9000-S6202-74121

ALUMINUM TUBE, GLAND NUT, LOCKNUT AND GLAND RING



PREFORMED PACKING
MIL-P-16685
(SOLD SEPARATELY)



SIZE	CABLE BORE	OUTSIDE HEX	NPT THREAD	SYMBOL #	PENN EL PART #	PREFORMED PACKING #
A	0.406	1-1/2	3/8-18	1548.1	A65-AL-A	MP-BA-A2
B	0.515	1-5/8	1/2-14	1548.2	A65-AL-B	MP-BA-B2
C	0.640	1-3/4	3/4-14	1548.3	A65-AL-C	MP-BA-C2
D	0.750	1-3/4	3/4-14	1548.4	A65-AL-D	MP-BA-D2
E	0.812	1-15/16	1-11 1/2	1548.5	A65-AL-E	MP-BA-E2
F	0.843	1-15/16	1-11 1/2	1548.6	A65-AL-F	MP-BA-F2
G	0.953	1-15/16	1-11 1/2	1548.7	A65-AL-G	MP-BA-G2
J	1.062	2-5/16	1-1/4-11 1/2	1548.8	A65-AL-J	MP-BA-J2
K	1.171	2-5/16	1-1/4-11 1/2	1548.9	A65-AL-K	MP-BA-K2
L	1.265	2-5/16	1-1/4-11 1/2	1548-10	A65-AL-L	MP-BA-L2
M	1.406	2-9/16	1-1/2-11 1/2	1548-11	A65-AL-M	MP-BA-M2
N	1.515	2-9/16	1-1/2-11 1/2	1548-12	A65-AL-N	MP-BA-N2
P	1.625	3	2-11 1/2	1548-13	A65-AL-P	MP-BA-P2
R	1.750	3	2-11 1/2	1548-14	A65-AL-R	MP-BA-R2

PENN EL SERVICE COMPANY

801 STONY BATTERY ROAD
LANDISVILLE, PA 17538
717-898-2202
pennel@bearonmfg.com
pennel.com

