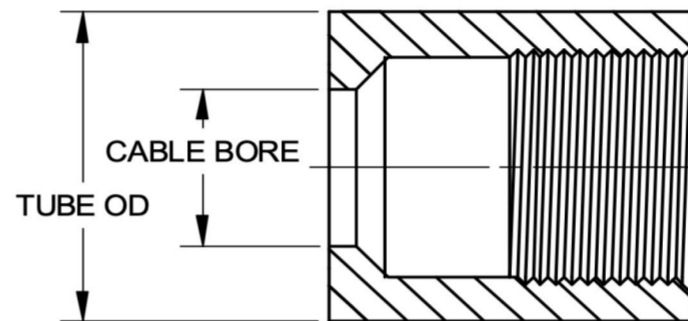
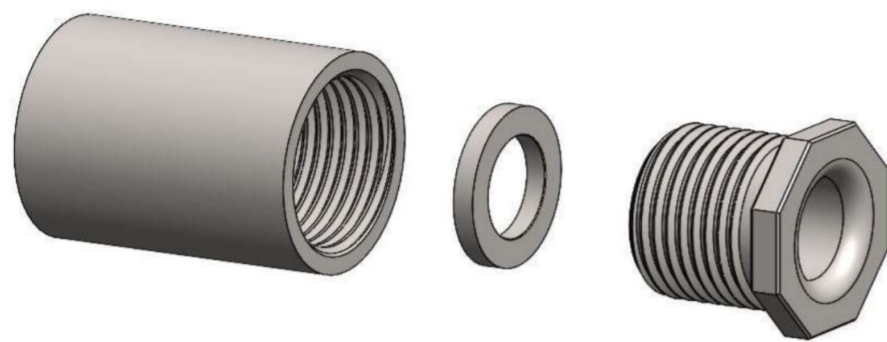


# MIL-S-24235/10

STUFFING TUBES, METAL, AND PACKING ASSEMBLIES FOR ELECTRIC CABLES,  
BRASS AND STEEL, FOR DECKS AND BULKHEADS WITHOUT PIPE PROTECTION

FORMERLY 30-2A  
STAINLESS STEEL TUBE, GLAND NUT AND GLAND RING



PREFORMED PACKING  
MIL-P-16685  
(SOLD SEPARATELY)



SIZE	CABLE BORE	OUTSIDE DIAMETER	SYMBOL #	M24235 ASSEMBLY #	PENN EL PART #	PREFORMED PACKING #
A	0.406	1-1/8	1600	M24235/10-01 MOD	A30-SS-A	MP-BA-A1
B	0.515	1-1/4	1601	M24235/10-02 MOD	A30-SS-B	MP-BA-B1
C	0.640	1-3/8	1602	M24235/10-03 MOD	A30-SS-C	MP-BA-C1
D	0.750	1-1/2	1603	M24235/10-04 MOD	A30-SS-D	MP-BA-D1
E	0.812	1-5/8	1604	M24235/10-05 MOD	A30-SS-E	MP-BA-E1
F	0.843	1-5/8	1605	M24235/10-06 MOD	A30-SS-F	MP-BA-F1
G	0.953	1-13/16	1606	M24235/10-07 MOD	A30-SS-G	MP-BA-G1
J	1.062	2	1607	M24235/10-08 MOD	A30-SS-J	MP-BA-J1
K	1.171	2-1/16	1608	M24235/10-09 MOD	A30-SS-K	MP-BA-K1
L	1.265	2-1/8	1609	M24235/10-10 MOD	A30-SS-L	MP-BA-L1
M	1.406	2-5/16	1610	M24235/10-11 MOD	A30-SS-M	MP-BA-M1
N	1.515	2-7/16	1611	M24235/10-12 MOD	A30-SS-N	MP-BA-N1
P	1.625	2-3/4	1612	M24235/10-13 MOD	A30-SS-P	MP-BA-P1
R	1.750	2-3/4	1613	M24235/10-14 MOD	A30-SS-R	MP-BA-R1
S	1.875	3-1/16	1614	M24235/10-15 MOD	A30-SS-S	MP-BA-S1
T	2.062	3-1/4	1615	M24235/10-16 MOD	A30-SS-T	MP-BA-T1
V	2.187	3-3/8	1616	M24235/10-17 MOD	A30-SS-V	MP-BA-V1
W	2.312	3-1/2	1617	M24235/10-18 MOD	A30-SS-W	MP-BA-W1
X	2.500	3-7/8	1618	M24235/10-19 MOD	A30-SS-X	MP-BA-X1
Y	2.609	3-7/8	1619	M24235/10-20 MOD	A30-SS-Y	MP-BA-Y1
Z	2.781	3-15/16	1620	M24235/10-21 MOD	A30-SS-Z	MP-BA-Z1
AA	2.875	4-1/8	1621	M24235/10-22 MOD	A30-SS-AA	MP-BA-AA1
BB	3.157	4-1/2	1622	M24235/10-23 MOD	A30-SS-BB	MP-BA-BB1

## PENN EL SERVICE COMPANY

801 STONY BATTERY ROAD  
LANDISVILLE, PA 17538  
717-898-2202  
pennel@bearonmfg.com  
pennel.com

